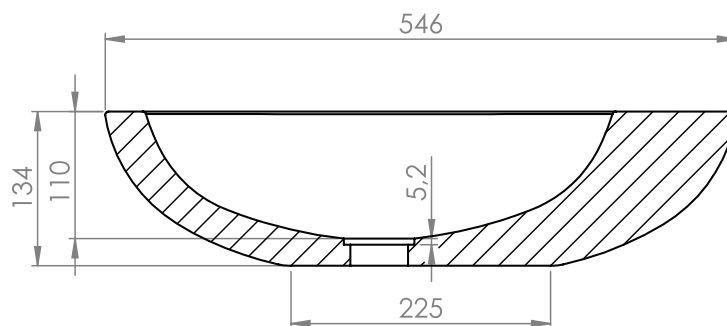


SECTION B-B  
SCALE 1 : 5



**Countertop basin in solid concrete - without overflow**

**Weight:** 25kg net approx

**Colours:** Off White, Mid Grey, Charcoal Black

**Material:** Engineered cementitious composite.  
This is concrete with high performance in flexural strength and ductility; achieved by a high density material design and internal reinforcement particles.