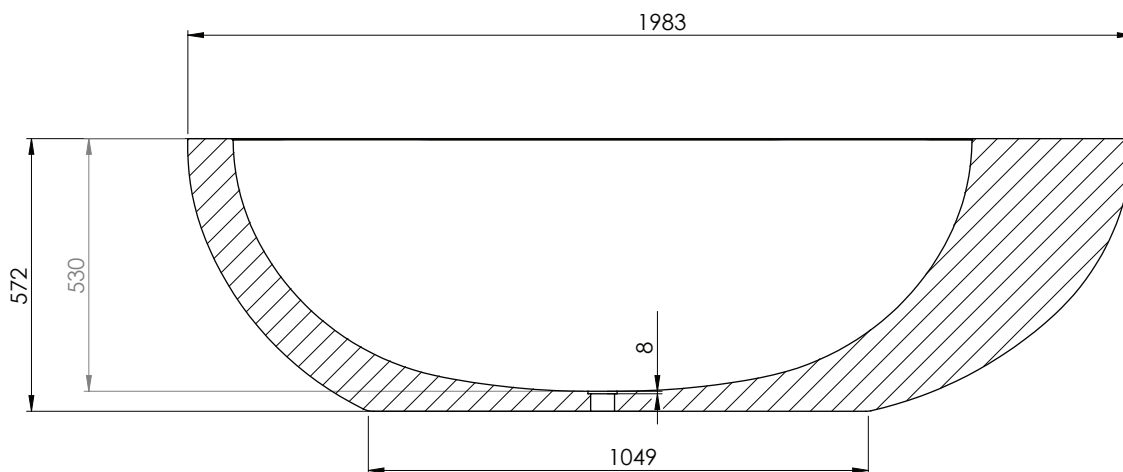


SECTION A-A
SCALE 1 : 10



Freestanding bathtub in solid concrete - without overflow

Weight: 755kg net approx

Colours: Off White, Mid Grey, Charcoal Black

Material: Engineered cementitious composite.
This is concrete with high performance in flexural strength and ductility; achieved by a high density material design and internal reinforcement particles.